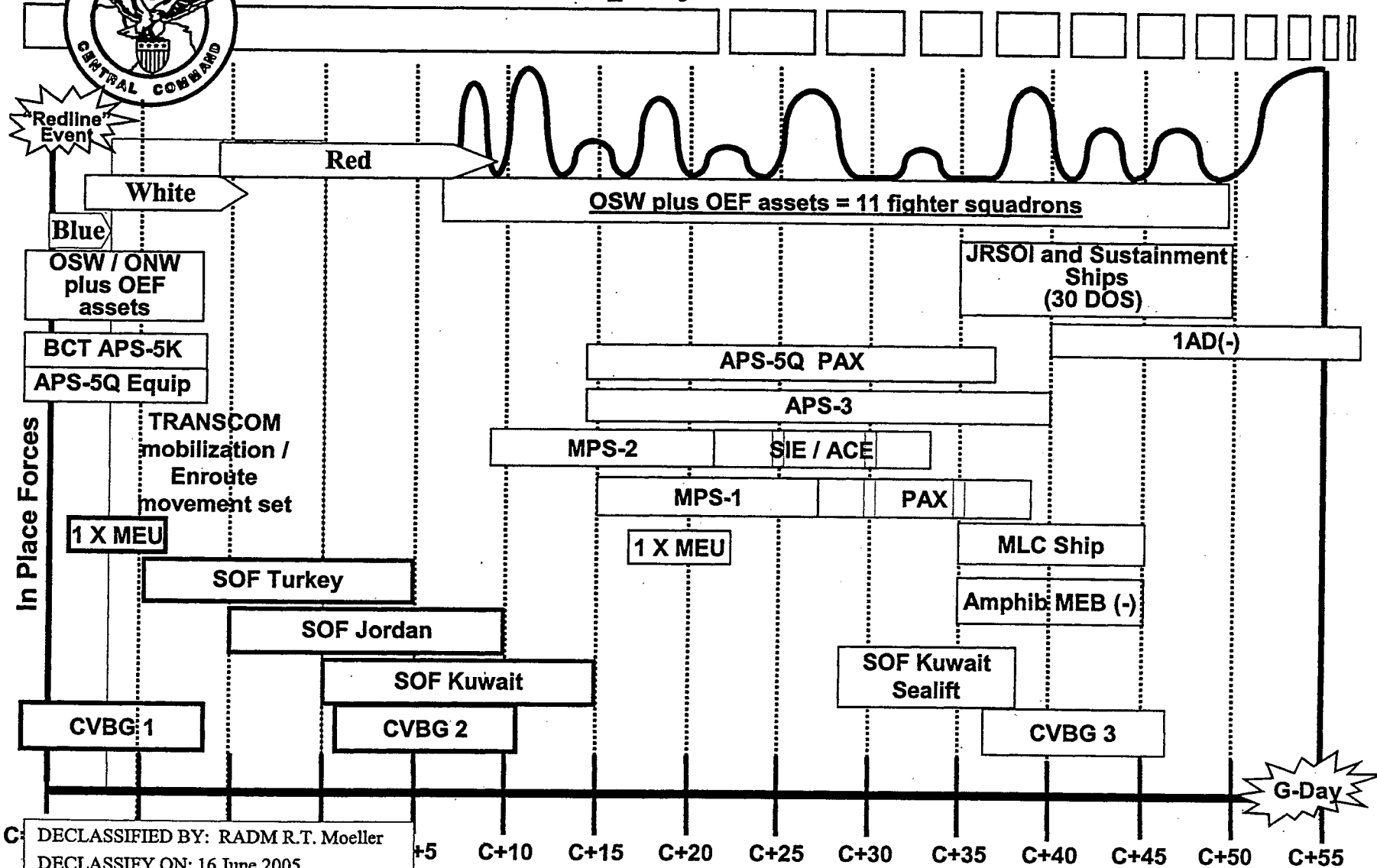




Phase I Deployment Overview

~~TOP SECRET / POLO STEP~~



DECLASSIFIED BY: RADM R.T. Moeller
 DECLASSIFY ON: 16 June 2005
 ACTION OFFICER: Mr. M.D. Fitzgerald, Civ

on made to deploy forces on /about 5 days after "redline event"

~~TOP SECRET / POLO STEP~~

FABH

Phase I...Running Start Shape the Battlespace

GROUND OPERATIONS

- Deploy forces to AOR (leveraging APS / MPS)
- Prepare for Decisive Offensive Operations

JSOTF-west
(in-place by C+5)

JSOTF-north
(in-place by C-Day)

JSOTF-south
(in-place by C+10)

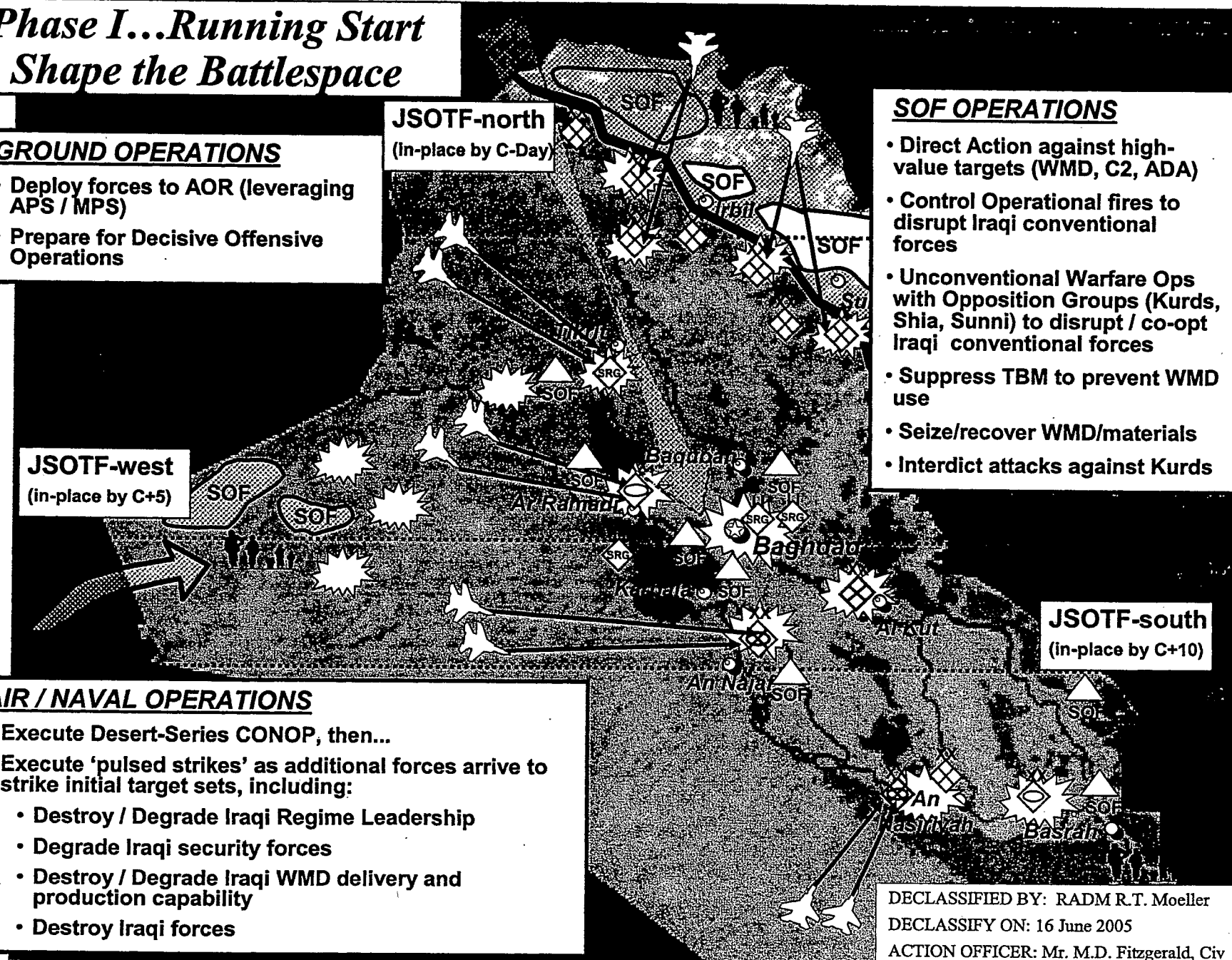
SOF OPERATIONS

- Direct Action against high-value targets (WMD, C2, ADA)
- Control Operational fires to disrupt Iraqi conventional forces
- Unconventional Warfare Ops with Opposition Groups (Kurds, Shia, Sunni) to disrupt / co-opt Iraqi conventional forces
- Suppress TBM to prevent WMD use
- Seize/recover WMD/materials
- Interdict attacks against Kurds

AIR / NAVAL OPERATIONS

- Execute Desert-Series CONOP, then...
- Execute 'pulsed strikes' as additional forces arrive to strike initial target sets, including:
 - Destroy / Degrade Iraqi Regime Leadership
 - Degrade Iraqi security forces
 - Destroy / Degrade Iraqi WMD delivery and production capability
 - Destroy Iraqi forces

DECLASSIFIED BY: RADM R.T. Moeller
DECLASSIFY ON: 16 June 2005
ACTION OFFICER: Mr. M.D. Fitzgerald, Civ



Phase II...Running Start Decisive Offensive operations

DECLASSIFIED BY: RADM R.T. Moeller
DECLASSIFY ON: 16 June 2005
ACTION OFFICER: Mr. M.D. Fitzgerald, Civ

AIR / NAVAL OPERATIONS

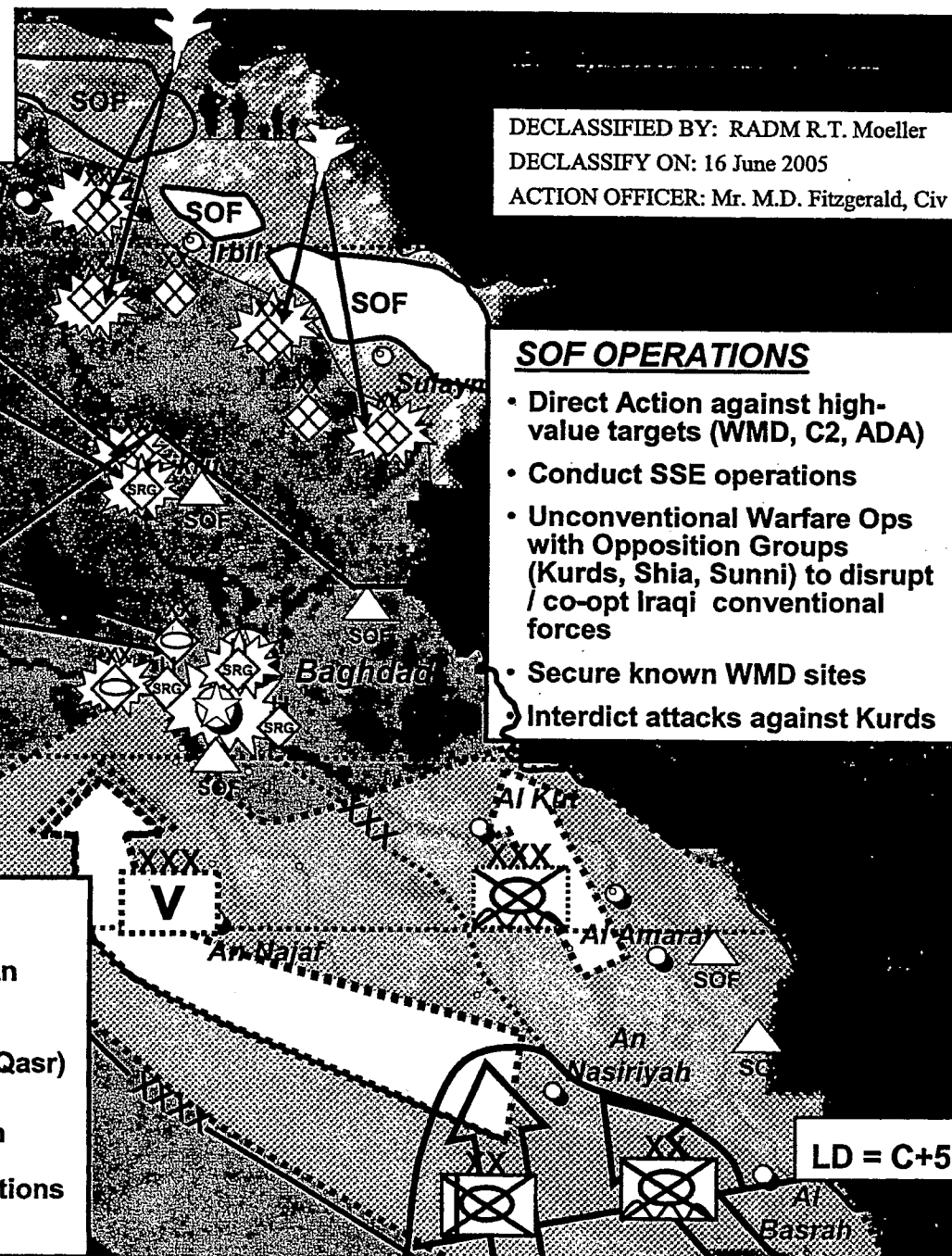
- Destroy / Degrade Iraqi Regime Leadership
- Degrade Iraqi security forces
- Destroy / Degrade Iraqi WMD delivery and production capability
- Destroy Degrade Iraqi forces

SOF OPERATIONS

- Direct Action against high-value targets (WMD, C2, ADA)
- Conduct SSE operations
- Unconventional Warfare Ops with Opposition Groups (Kurds, Shia, Sunni) to disrupt / co-opt Iraqi conventional forces
- Secure known WMD sites
- Interdict attacks against Kurds

GROUND OPERATIONS

- Initial:
 - Seize bridgehead across Euphrates River (vic An Nasiriyah)
 - Defeat / destroy Iraqi forces in zone
 - BPT seize key terrain (southern oilfields; Umm Qasr)
- After additional forces close:
 - Defeat/ destroy remaining Iraqi forces in zone in order to isolate Baghdad
 - Secure known WMD sites & conduct SSE operations
 - Secure co-opted Iraqi forces



Phase III Complete Regime Destruction

AIR / NAVAL OPERATIONS

- Destroy / Degrade Iraqi Regime Leadership
- Degrade Iraqi security forces
- Destroy / Degrade Iraqi WMD delivery and production capability
- Defeat / Destroy Iraqi forces in zone

DECLASSIFIED BY: RADM R.T. Moeller
DECLASSIFY ON: 16 June 2005
ACTION OFFICER: Mr. M.D. Fitzgerald, Civ

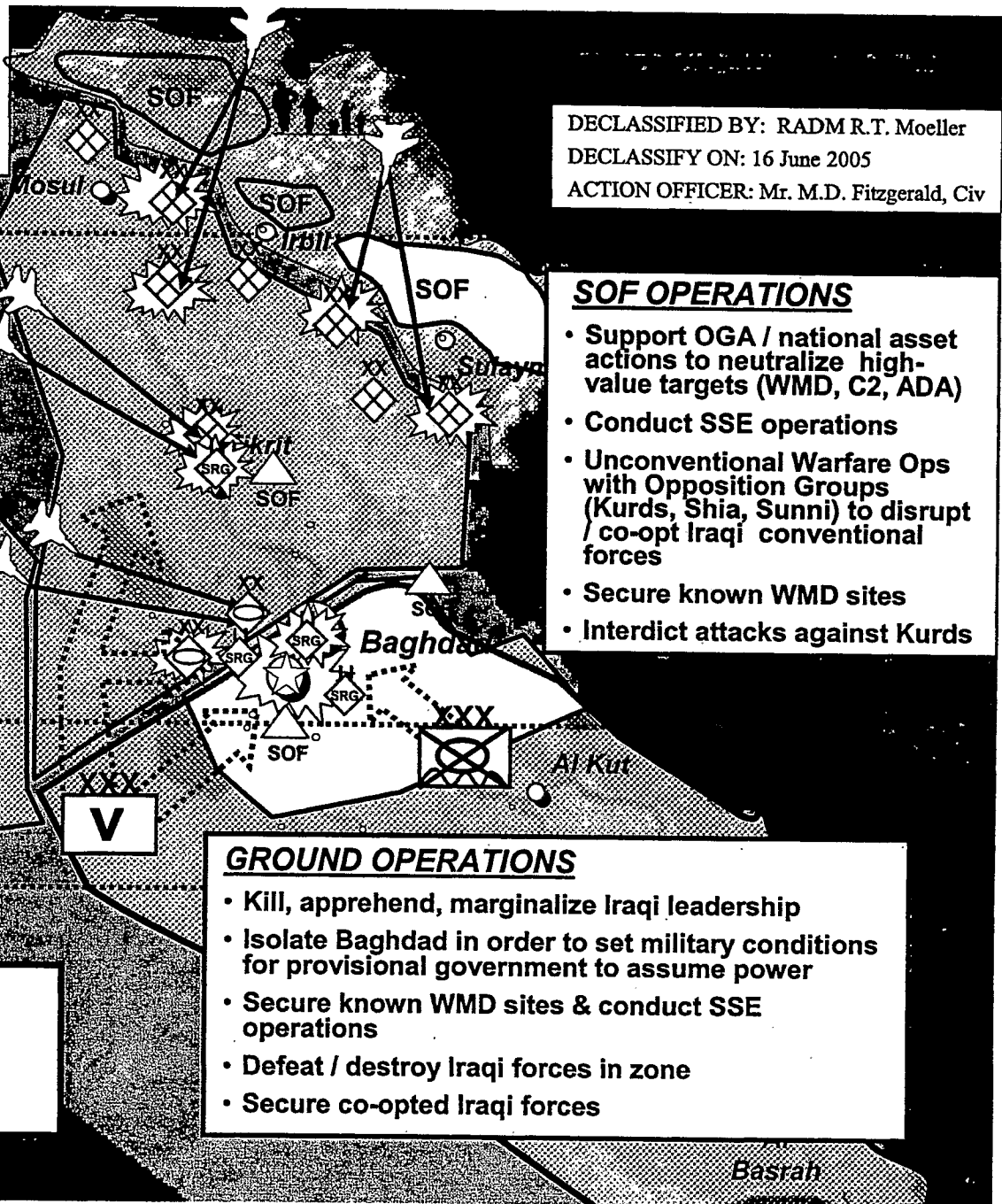
SOF OPERATIONS

- Support OGA / national asset actions to neutralize high-value targets (WMD, C2, ADA)
- Conduct SSE operations
- Unconventional Warfare Ops with Opposition Groups (Kurds, Shia, Sunni) to disrupt / co-opt Iraqi conventional forces
- Secure known WMD sites
- Interdict attacks against Kurds

GROUND OPERATIONS

- Kill, apprehend, marginalize Iraqi leadership
- Isolate Baghdad in order to set military conditions for provisional government to assume power
- Secure known WMD sites & conduct SSE operations
- Defeat / destroy Iraqi forces in zone
- Secure co-opted Iraqi forces

**Reverts to base
plan at Phase III**

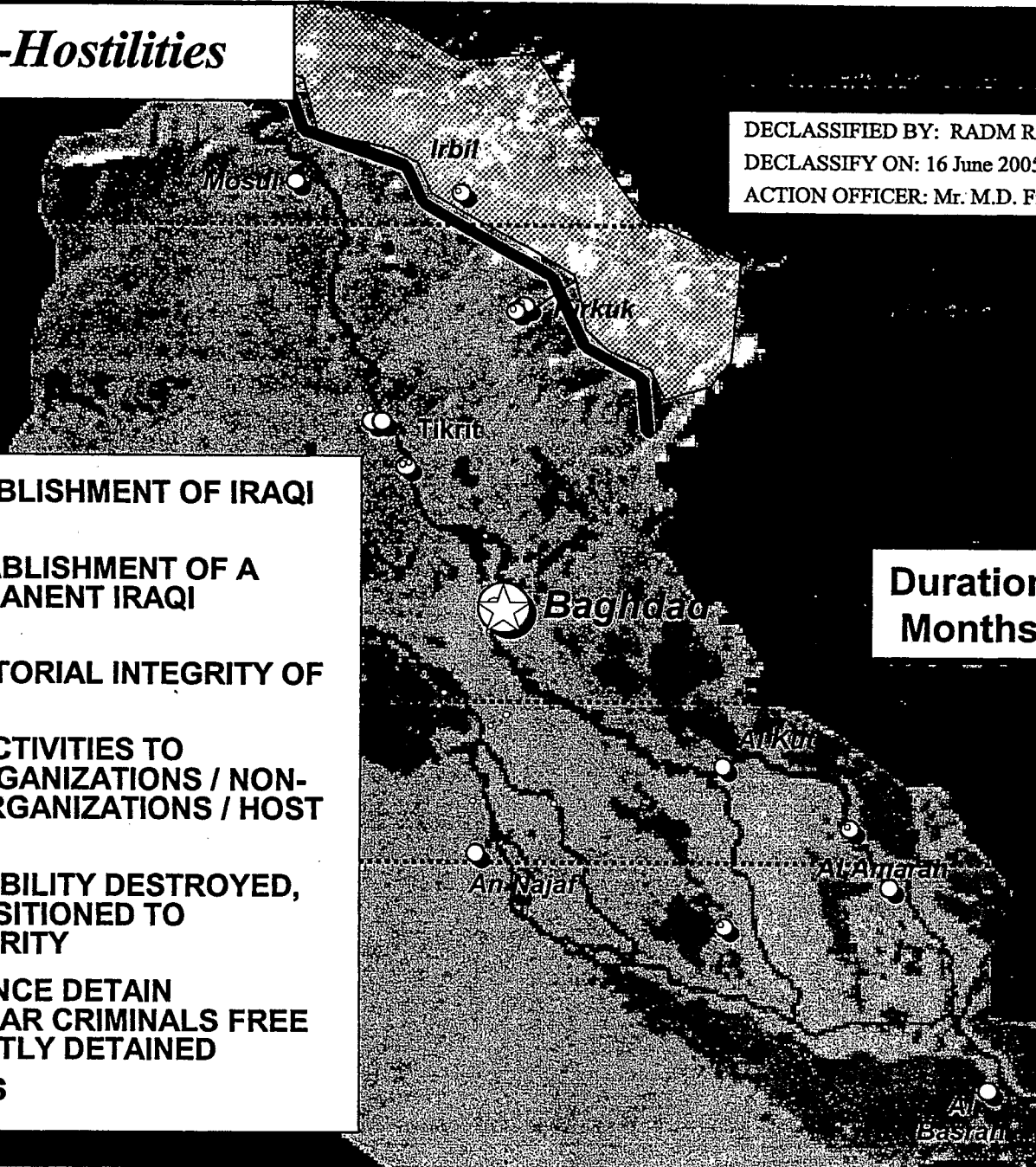


Phase IV Post-Hostilities

DECLASSIFIED BY: RADM R.T. Moeller
DECLASSIFY ON: 16 June 2005
ACTION OFFICER: Mr. M.D. Fitzgerald, Civ

Duration –
Months...

- ① SUPPORT THE ESTABLISHMENT OF IRAQI MILITARY FORCES
- ② SUPPORT THE ESTABLISHMENT OF A PROVISIONAL/PERMANENT IRAQI GOVERNMENT
- ③ ENSURE THE TERRITORIAL INTEGRITY OF IRAQ
- ④ TRANSITION CMO ACTIVITIES TO INTERNATIONAL ORGANIZATIONS / NON-GOVERNMENTAL ORGANIZATIONS / HOST NATION
- ⑤ ENSURE WMD CAPABILITY DESTROYED, REMOVED OR TRANSITIONED TO COMPETENT AUTHORITY
- ⑥ GATHER INTELLIGENCE DETAIN TERRORISTS AND WAR CRIMINALS FREE INDIVIDUALS UNJUSTLY DETAINED
- ⑦ RE-DEPLOY FORCES





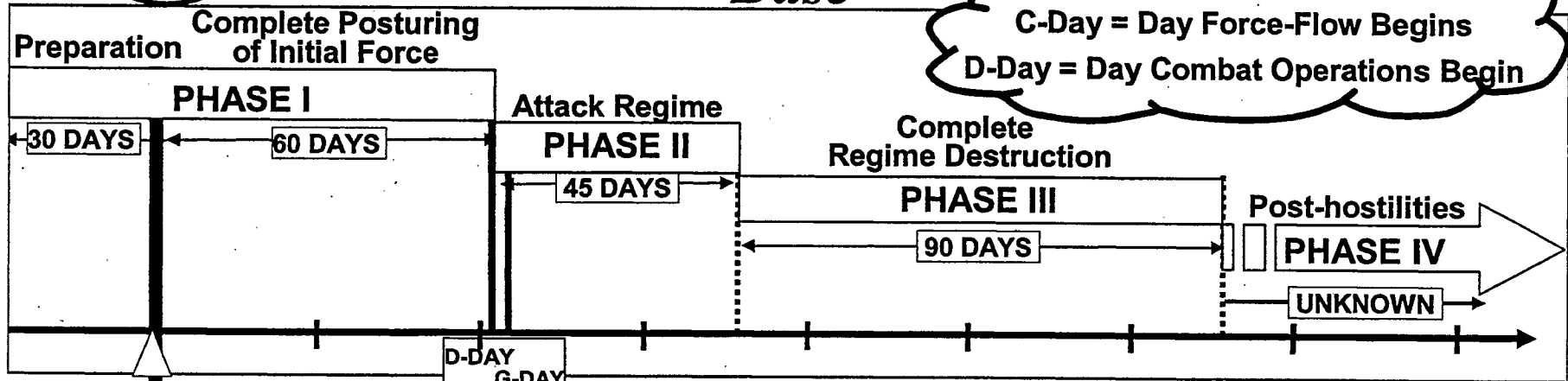
Base and Branch

~~TOP SECRET / POLO STEP~~

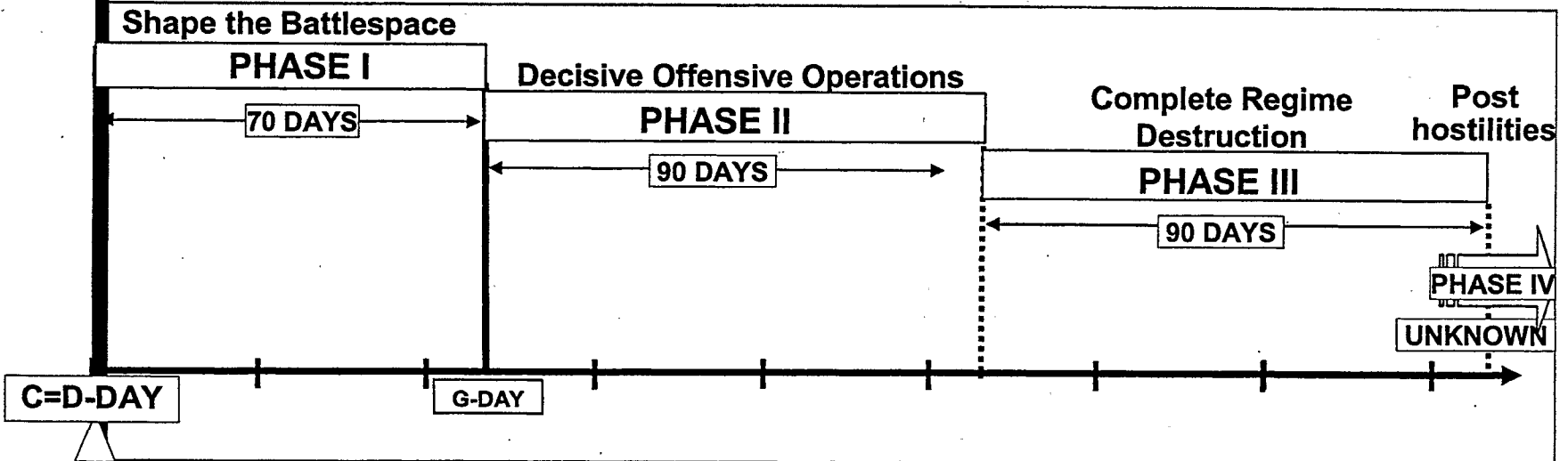
DECLASSIFIED BY: RADM R.T. Moeller
DECLASSIFY ON: 16 June 2005
ACTION OFFICER: Mr. M.D. Fitzgerald, Civ

Base

C-Day = Day Force-Flow Begins
D-Day = Day Combat Operations Begin



Branch



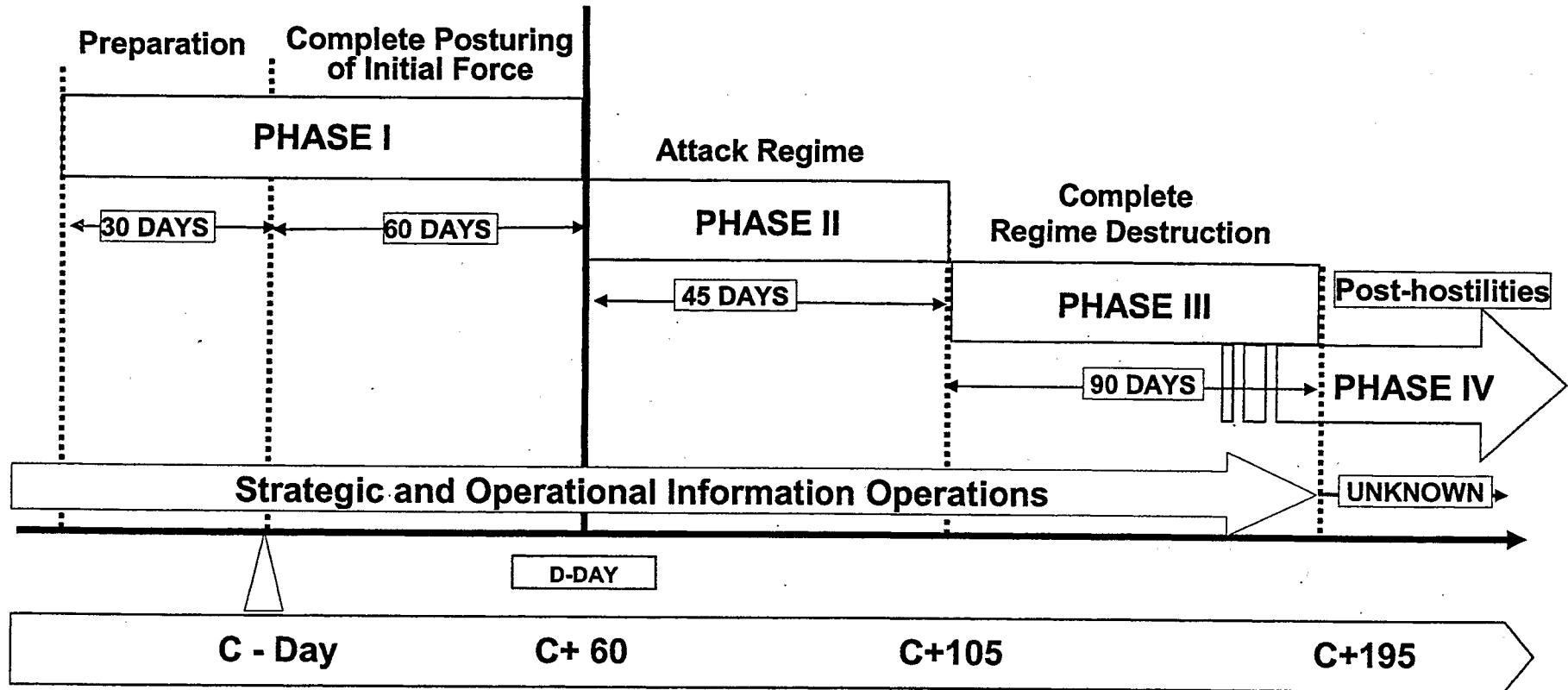
~~TOP SECRET / POLO STEP~~



Operational Concept -- Base Plan

~~TOP SECRET / POLO STEP~~

DECLASSIFIED BY: RADM R.T. Moeller
DECLASSIFY ON: 16 June 2005
ACTION OFFICER: Mr. M.D. Fitzgerald, Civ



C-Day = Day Force-Flow Begins
D-Day = Day Attack Begins

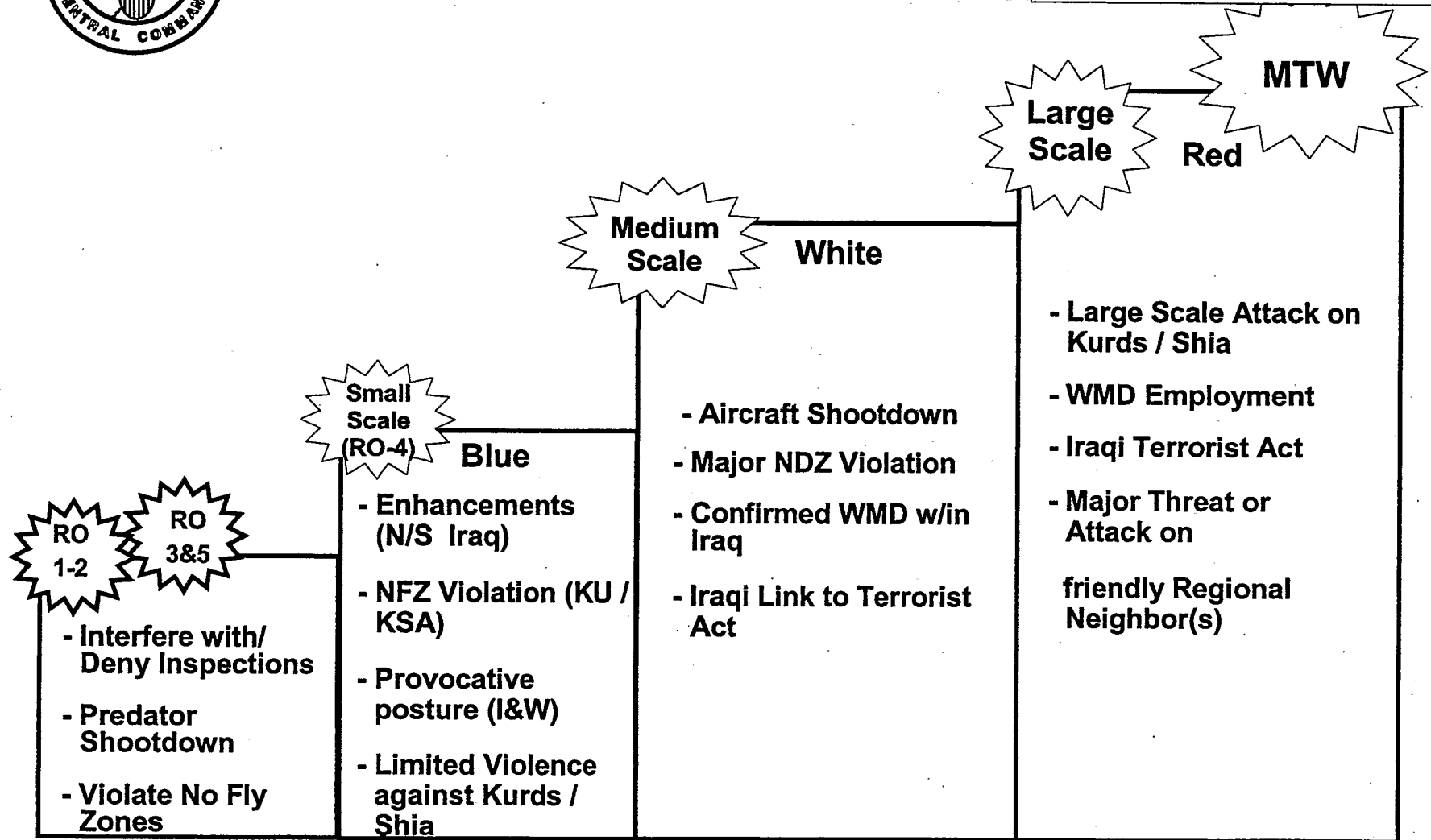
~~TOP SECRET / POLO STEP~~



Spectrum of Responses...

~~TOP SECRET / POLO STEP~~

DECLASSIFIED BY: RADM R.T. Moeller
DECLASSIFY ON: 16 June 2005
ACTION OFFICER: Mr. M.D. Fitzgerald, Civ



Least Provocative

Iraqi Actions (Triggers)

Most Provocative

~~TOP SECRET / POLO STEP~~

Initial Start Force... (Force For Phase II) D-Day

CFLCC MARCENT CFSOCC
CFACC CFMCC

Attack Aircraft: 537
Attack Helos: 170
Personnel: 183K
(Ground Forces - 130K / SOF- 4K)
Tanks: 552

Afyon, Turkey
KC135 Sqdn

Incirlik, TU
4 x F15 Sqdn
2 x F16 Sqdn
1 x KC135 Sqdn

Burgas, Bulgaria
KC10 Sqdn

Diyabakur, Turkey
JSOTF-North
SF Group
AF SOF Det

1 x A-10 Sqdn
1 x KC135 Sqdn

Akrotiri, Cyprus
ISR Aircraft

Souda Bay, Crete
KC135 Sqdn

Mediterranean
2 x CVBG
TLAM shooters
(14 surface combatants)

H4, Jordan
JSOTF-West
SF Bn (-)
AF SOF Det

North Arabian Gulf
3 x CVBG
TLAM shooters
(21 surface combatants)
1 x ARG - MEU

Kuwait

V Corps (2 Div +)
3rd Infantry Div
1st Armor Div (-)
1 Bde / 101st AA
11 Avn Regiment
V Corps Artillery
3 COSCOM

I MEF (1 Div +)
1st MARDIV
3rd MAW
Amph MEB
ARG-MEU
1 FSSG

JTF-CM HQ

JSOTF-South
SF Group

Marine Log Cmd

JSOACC HQ
AF SOF Det

Kuwait
1 x F16 Sqdn
2 x A-10 Sqdn

Naval SOF TF

Bahrain

CFMCC HQ
MPRA / NSW

MARCENT HQ

Naval SOF TF

C2 Aircraft (all services)
ISR Aircraft

1 x KC135 Sqdn
1 x KC130 Sqdn (USMC)

Qatar
CFSOCC HQ

UAE
ISR Aircraft
KC10A Sqdn
C130 Wing (100 Acft)

Masirah, Oman
MPRA / NSW

AF SOF Det

Al Udeid, Qatar
5 x F15 Sqdn
4 x F16 Sqdn
9 x KC10 Sqdn

Masirah, Oman
ISR Aircraft
SOF Aircraft

Seeb, Oman
4 x KC135 Sqdn
C2 Aircraft

Thumrait, Oman
B1 Sqdn
ISR Aircraft

Diego Garcia
B-52 Sqdn
KC-10 Sqdn

DECLASSIFIED BY: RADM R.T. Moeller
DECLASSIFY ON: 16 June 2005
ACTION OFFICER: Mr. M.D. Fitzgerald, Civ

Force at Beginning of Phase III (D+45)

CFLCC MARCENT CFSOCC
CFACC CFMCC

Attack Aircraft: 591
Attack Helos: 282
Personnel: 220K
(Ground Forces - 162K / SOF- 4K)
Tanks: 763

North Arabian Gulf
 3 x CVBG
 TLAM shooters
 (21 surface combatants)
 1 x ARG - MEU

UAE
 ISR Aircraft
 KC10A Sqdn
 C130 Wing (100 Acft)

Masrah, Oman
 MPRA / NSW
 AF SOF Det

Seeb, Oman
 4 x KC135 Sqdn
 C2 Aircraft

Diego Garcia
 B-52 Sqdn
 KC-10 Sqdn

Masrah, Oman
 ISR Aircraft
 SOF Aircraft

Thumrait, Oman
 B1 Sqdn
 ISR Aircraft

Al Udeid, Qatar
 5 x F15 Sqdn
 4 x F16 Sqdn
 9 x KC10 Sqdn

Qatar
 CFSOCC HQ

Bahrain

CFMCC HQ
 MPRA / NSW

MARCENT HQ

Naval SOF TF

C2 Aircraft (all services)
 ISR Aircraft

1 x KC135 Sqdn
 1 x KC130 Sqdn (USMC)

JTF-CM HQ

Marine Log Cmd

Kuwait
 1 x F16 Sqdn
 2 x A-10 Sqdn

JSOTF-South
 SF Group

Kuwait

V Corps (3 Div +)
 3rd Infantry Div
 1st Armor Div (-)
 1 Bde / 101st AA
 11 Avn Regiment
 V Corps Artillery
 3 COSCOM

I MEF (1 Div +)
 1st MARDIV
 3rd MAW
 Amph MEB
 ARG-MEU
 1 FSSG

Bde / 1 AD
 101st AA Div (-)
 2nd ACR
 3rd ACR

JSOACC HQ
 AF SOF Det

Naval SOF TF

Burgas, Bulgaria
 KC10 Sqdn

Diyabakur, Turkey
 JSOTF-North
 SF Group
 AF SOF Det

1 x A-10 Sqdn
 1 x KC135 Sqdn

Incirlik, TU
 4 x F15 Sqdn
 2 x F16 Sqdn
 1 x KC135 Sqdn

Akrotiri, Cyprus
 ISR Aircraft

Souda Bay, Crete
 KC135 Sqdn

Afyon, Turkey
 KC135 Sqdn

Mediterranean
 2 x CVBG
 TLAM shooters
 (14 surface combatants)

H4, Jordan
 JSOTF-West
 SF Bn (-)
 AF SOF Det

Global Support

Global Power
 16 B2 - Whiteman
 AFB

Global Reach

Ramstein, Ger
 Moron, Spain
 Aviano and
 Sigonella, Italy
 Souda Bay, Greece

DECLASSIFIED BY: RADM R.T. Moeller
 DECLASSIFY ON: 16 June 2005
 ACTION OFFICER: Mr. M.D. Fitzgerald, Civ

"Running Start" C+45

DECLASSIFIED BY: RADM R.T. Moeller
DECLASSIFY ON: 16 June 2005
ACTION OFFICER: Mr. M.D. Fitzgerald, Civ

Whiteman AFB, US
16 B2 (USAF)

Mediterranean
72 F18 (USN)
20 F14 (USN)
8 EA6B (USN)
8 E2 (USN)

48 GRL (USAF)

Souda Bay, CR (LBBG)
6 KC135E (USAF)
2 CH53 (USN)
2 C-130 (USN)

H5 (Prince Hasan), JO
2 MC130H (SOF)
4 MC130P (SOF)
6 MH47D (SOF)
3 MH60L (SOF)
4 HC130 (USAF)
6 HH60 (USAF)
4 RQ-1(1 MQ-1)(USAF)

Fairford AB, UK
12 B-52 (USAF)

Akrotiri, CY (LCRA)
4 U2 (USAF)
6 KC135E (USAF)

Antalya, TU (LTBF)
36 KC135 (USAF)

All Al Salem, KU (OKAS)
18 AH1 (USMC)
24 CH46 (USMC)
16 CH53 (USMC)
9 UH1 (USMC)
6 PIONEER (USMC)
6 MC130E (SOF)
6 MH47 (SOF)
7 RQ-1 (USAF)
4 MH53M (SOF)
12 UAV (USA)
2 EC-130E (SOF)

Prince Sultan (PSAB)
8 KC135R (USAF)
3 E3 (USAF)
2 RC135W/V (USAF)
5 EA6B (USN)
14 F16CJ (USAF)
12 F15C/D (USAF)
2 U2 (USAF)

VIC Camp Doha (OKAD)
775 HELOs (USA)

Al Jaber, KU (OKAJ)
60 F18C/D (USMC)
30 F16C+ (USAF)
30 A/OA-10 (USAF)
16 AV8B (USMC)
4 HC130 (USAF)
6 HH60G (USAF)

Camp Snoopy, QA (OTBD)
5 C-17 (USAF)
5 EC-130H (USAF)
24 C-130 (USAF)

Al Udeid, QA (OTBH)
12 F15C (USAF)
16 F16CJ (USAF)
18 F16CG (USAF)
36 F15E (USAF)

Thumrait, OM (OOTH)
12 B1 (USAF)
7 E3 (USAF)
4 RC135W/V (USAF)
11 KC135R (USAF)
2 Cobra Ball (USAF)
5 E8C (USAF)

Al Dhafra, AE (OMAM)
6 U2 (USAF)
4 RQ4 (USAF)
5 KC10A (USAF)

Seeb, OM (OOMS)
3 C21 (USAF)
48 C130 (USAF)
24 KC135R (USAF)

Masirah, OM (OOMA)
4 AC130U (USAF)
2 MC130P (USAF)
4 MH53M (SOF)
1 APEX GOLD (SOF)
4 P3C (USN)

Diego Garcia (FJDG)
16 B-52 (USAF)
12 KC-10 (USAF)
3 P-3C (USN)

Burgas, BU (LBBG)
6 KC10A (USAF)

Afyon, TU (LTAH)
18 KC135E (USAF)

Incirlik, TU (LTAG)
21 A/OA10 (USAF)
24 F15C (USAF)
24 F16CJ (USAF)
24 F15E (USAF)
5 EC-130H(CC) (USAF)
5 E8C (USAF)
6 KC135 (SOF)
4 RC135W/V (USAF)
10 EA6B (USN/USMC)
5 E3 (USAF)

Diyabikir, TU (LTCC)
8 A/OA10 (USAF)
4 AC130H (SOF)
4 RQ-1 (USAF)
4 MC130H (SOF)
4 MC130P (SOF)
7 MH53 (SOF)
4 HC130 (USAF)
6 HH60 (USAF)

Bahrain Int'l BA (OBBI)
6 C2COD (USN)
1 C20 (USN)
3 EP3 (USN)
2 UC12 (USN)
6 MH53 (USN)
4 PH53E (USN)
2 C130 (USN)
2 C9 (USN)
3 P3C (USN)

Shalikh Isa, BA (OBBS)
5 EA6B (USMC)
10 KC135R (USAF)
4 KC135 (SOF)
18 KC130 (USMC)

Abu Dhabi AE (OMAA)
24 KC135R (USAF)
9 KC10A (USAF)
28 C130 (USAF)

Arabian Gulf
96 F18 (USN)
42 F14 (USN)
12 EA6B (USN)
12 E2 (USN)

Force at End of Phase III (If Required) (D+135)

Afyon, Turkey
KC135 Sqdn

Inçirlik, TU
4 x F15 Sqdn
2 x F16 Sqdn
1 x KC135 Sqdn

Burgas, Bulgaria
KC10 Sqdn

Diyabakur, Turkey
JSOTF-North
SF Group
AF SOF Det

1 x A-10 Sqdn
1 x KC135 Sqdn

CFLCC MARCENT CFSOCC
CFACC CFMCC

Akrotiri, Cyprus
ISR Aircraft

Souda Bay, Crete
KC135 Sqdn

Attack Aircraft: 591
Attack Helos: 306
Personnel: 254K
(Ground Forces - 164K / SOF- 4K)
Tanks: 1257

Mediterranean
2 x CVBG
TLAM shooters
(14 surface combatants)

H4, Jordan
JSOTF-West
SF Bn (-)
AF SOF Det

North Arabian Gulf
3 x CVBG
TLAM shooters
(21 surface combatants)
1 x ARG - MEU

Global Support

Global Power
16 B2 - Whiteman
AFB

Global Reach
Ramstein, Ger
Moron, Spain
Aviano and
Sigonella, Italy
Souda Bay, Greece

Kuwait

V Corps (5 Div +)
3rd Infantry Div
1st Armor Div
101st AA Division
11 Avn Regiment
V Corps Artillery
3 COSCOM
2nd ACR
3rd ACR

I MEF (1 Div +)
1st MARDIV
3rd MAW
Amph MEB
ARG-MEU
1 FSSG

JTF-CM HQ

Marine Log Cmd

1st Cavalry Div
 Heavy or Light
Division

Kuwait
1 x F16 Sqdn
2 x A-10 Sqdn

JSOACC HQ
AF SOF Det

JSOTF-South
SF Group

Naval SOF TF

Bahrain

CFMCC HQ
MPRA / NSW

MARCENT HQ

Naval SOF TF

C2 Aircraft (all services)
ISR Aircraft

1 x KC135 Sqdn
1 x KC130 Sqdn (USMC)

Qatar
CFSOCC HQ

UAE
ISR Aircraft
KC10A Sqdn
C130 Wing (100 Acft)

Masirah, Oman
MPRA / NSW
AF SOF Det

Al Udeid, Qatar
5 x F15 Sqdn
4 x F16 Sqdn
9 x KC10 Sqdn

Masirah, Oman
ISR Aircraft
SOF Aircraft

Seeb, Oman
4 x KC135 Sqdn
C2 Aircraft

Thumrait, Oman
B1 Sqdn
ISR Aircraft

Diego Garcia
B-52 Sqdn
KC-10 Sqdn

DECLASSIFIED BY: RADM R.T. Moeller
DECLASSIFY ON: 16 June 2005
ACTION OFFICER: Mr. M.D. Fitzgerald, Civ